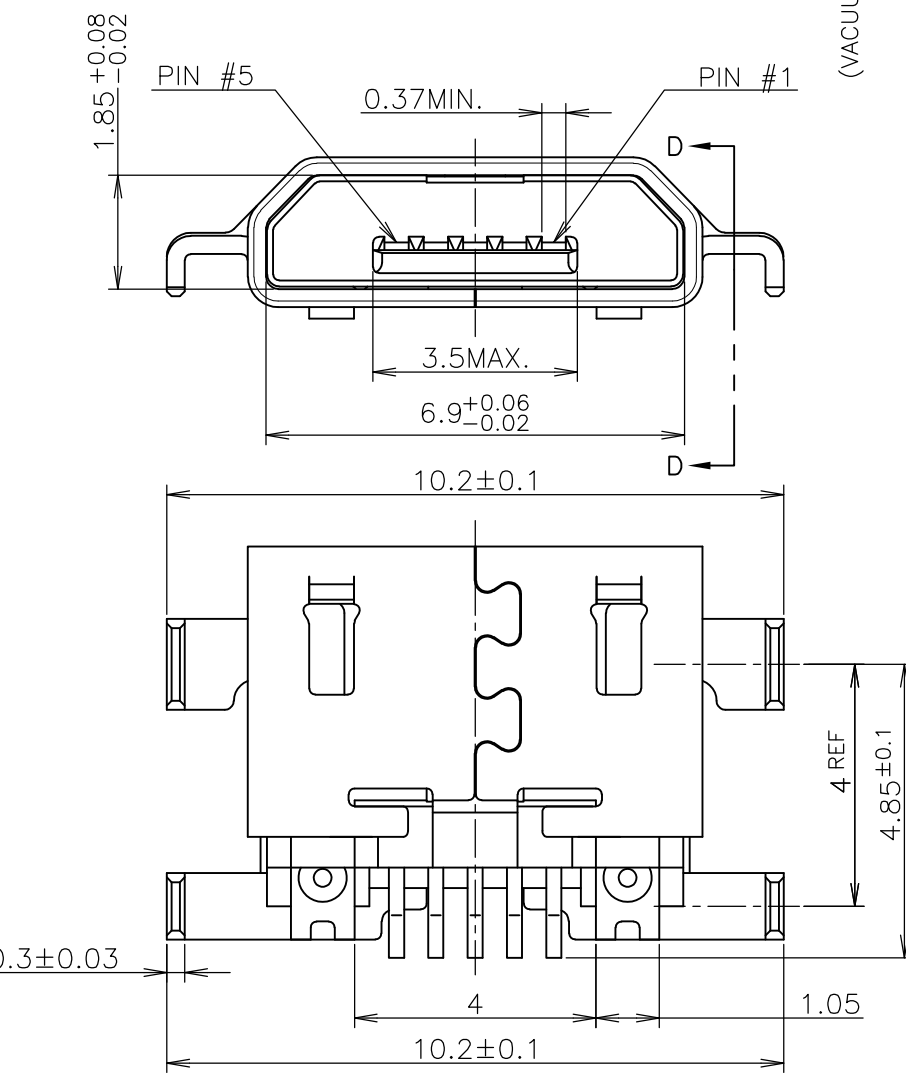
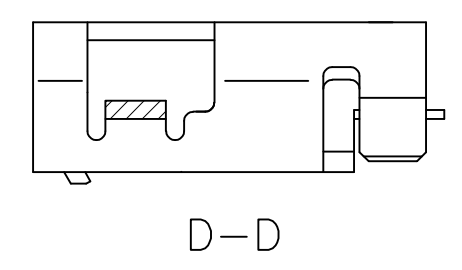
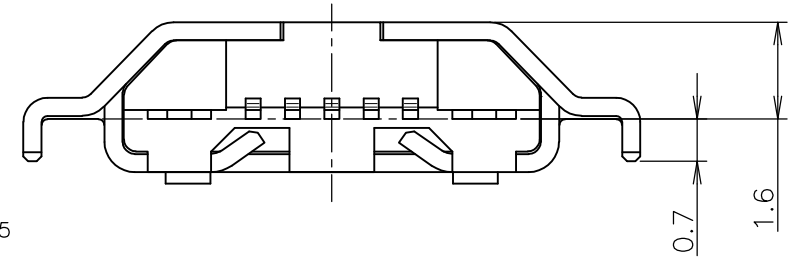
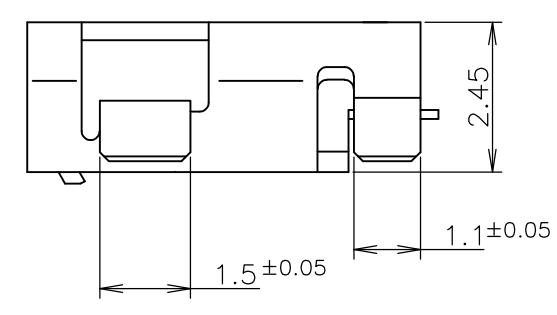
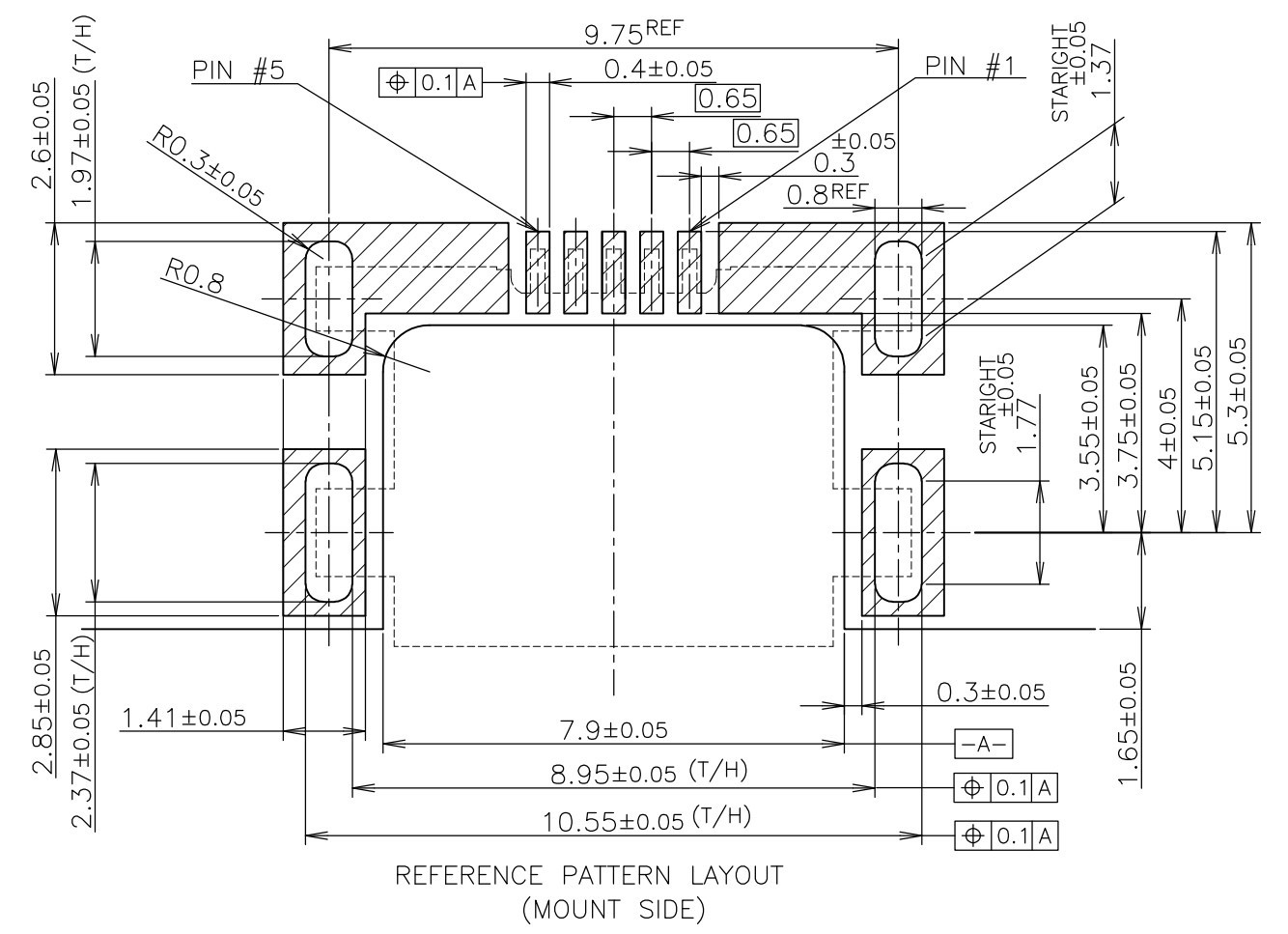
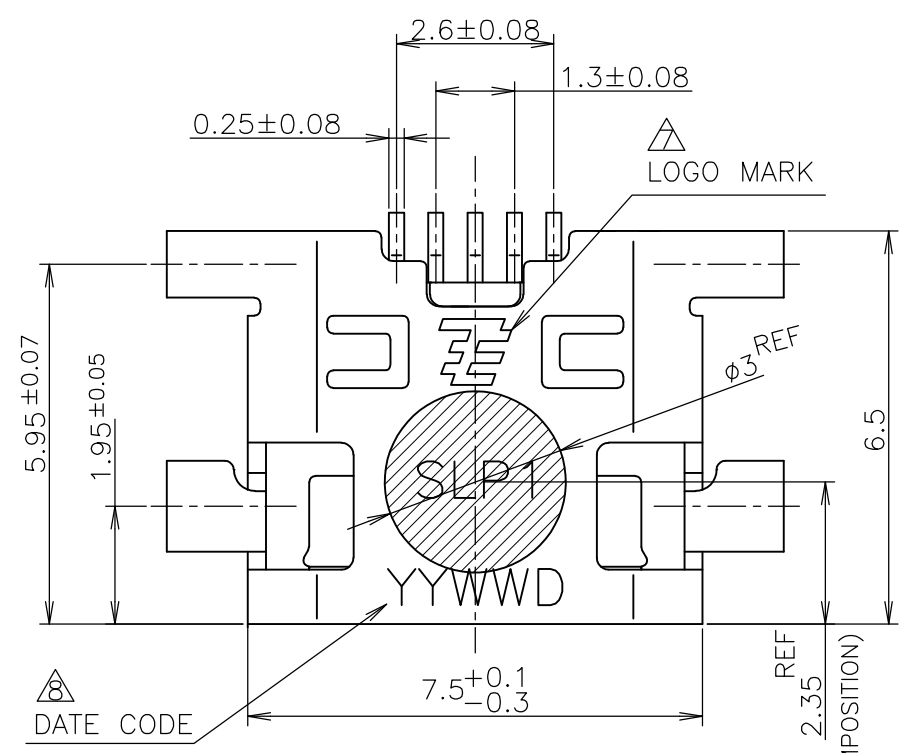


THIS DRAWING IS UNPUBLISHED. RELEASED FOR PUBLICATION JUL ,2011.  
 © COPYRIGHT 2011 By Tyco Electronics Japan G.K. ALL RIGHTS RESERVED.

LOC	DIST	REVISIONS					
J	/	P	LTR	DESCRIPTION	DATE	DWN	APVD
		A		RELEASED	25JUL2011	C.O	T.K

- 1 GENERAL TOLERANCE: ±0.3
- 2 CONTACT TINE COPLANALITY; 0.08mm MAX
- ③ MATERIAL HOUSING: THERMO PLASTIC RESIN  
CONTACT: COPPER ALLOY  
SHELL: STAINLESS STEEL
- ④ FINISH  
CONTACT; Ni UNDER PLATING ALL OVER  
Au PLATING ON SOLDERING AREA  
Au PLATING ON CONTACT AREA  
SHELL; Ni UNDER PLATING ALL OVER  
Sn PLATING ALL OVER
- 5 PREVENTION OF WRENCHING  
PLEASE HOLD THE TOP AND THE SIDE OF CONNECTOR BY THE CASE.
- 6 PREVENTION OF HITTING DURING PLUG INSERTION  
PLEASE SET THE INSERTION GUIDE ALONG THE MATING SURFACE.
- △ LOGO MARK
- ⑧ DATE CODE: YYWWD  
(YEAR, WEEK, DAY)  
SLP1 (SHIFT, LINE, P1: REVISION CODE)



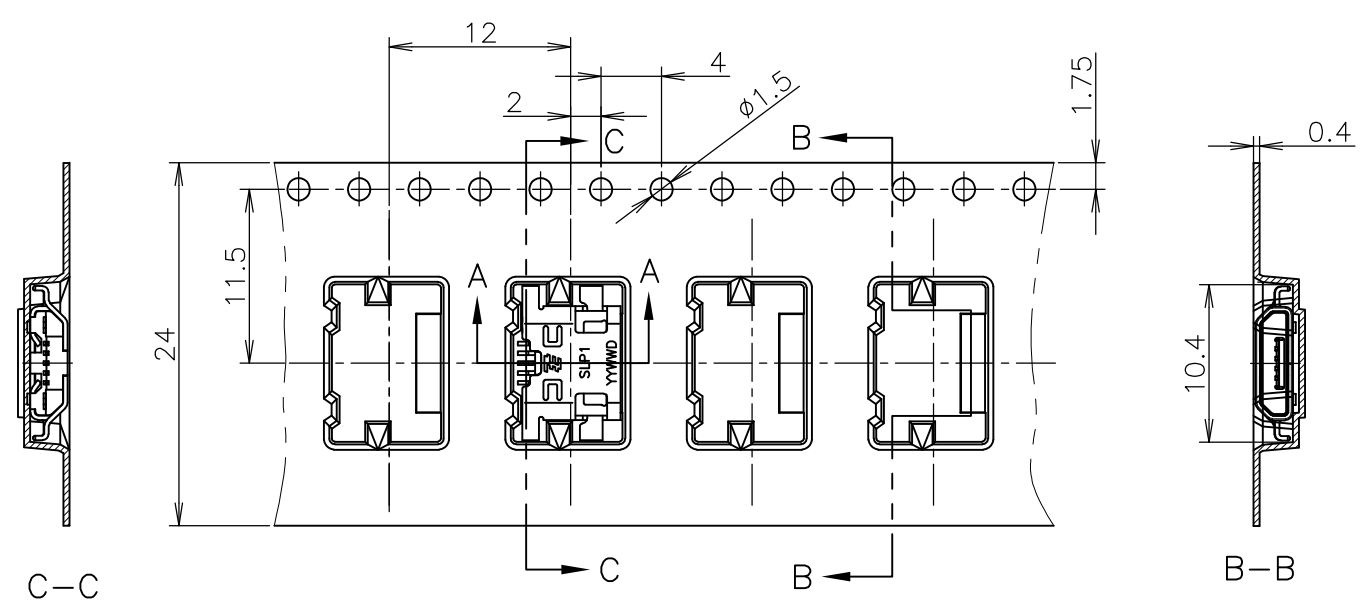
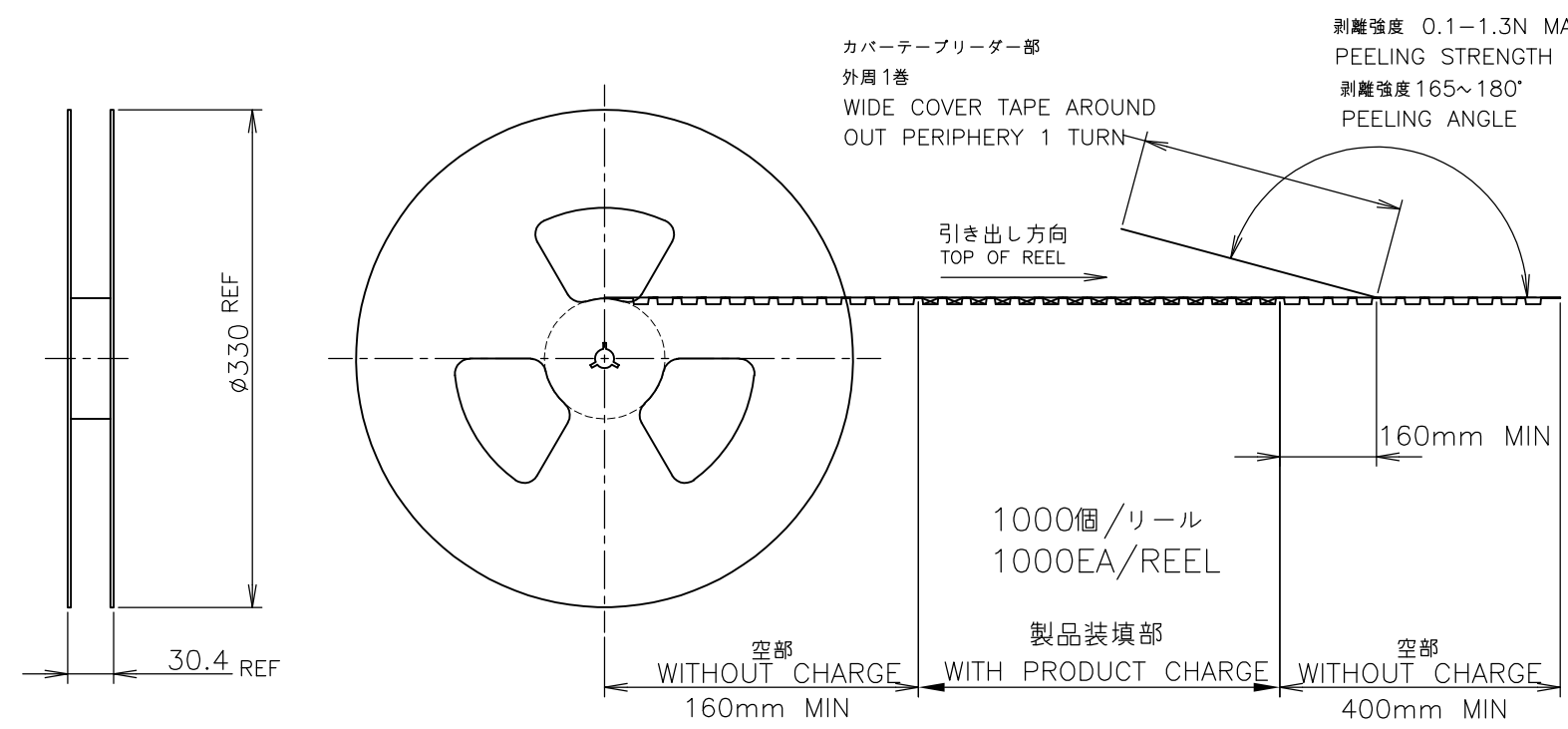
REFERENCE PATTERN LAYOUT (MOUNT SIDE)

WITH	2134441-2
LASER WELDING	PARTS NUMBER

THIS DRAWING IS A CONTROLLED DOCUMENT.		DWN	C.OHASHI	25JUL2011	 TE Connectivity	MICRO USB CONNECTOR	
DIMENSIONS: 単位: 耗 mm		CHK	A.KUBO	25JUL2011		MID-MOUNT DIP, FLANGELESS	
TOLERANCES UNLESS OTHERWISE SPECIFIED: 一般公差		APVD	T.KUSUHARA	25JUL2011		REVERSE TYPE	
0 PLC ± 0.3 1 PLC ± 0.3 2 PLC ± 0.3 3 PLC ± 0.3 4 PLC ± 0.3 ANGLES ± 3°		NAME	T.KUSUHARA			108-78434	
MATERIAL 材料		PRODUCT SPEC	製品規格		SIZE	CAGE CODE	DRAWING NO
FINISH 仕上		APPLICATION SPEC	取付適用規格		A3	00779	C-2134441
		WEIGHT			RESTRICTED TO		
		CUSTOMER DRAWING		SCALE	8:1	SHEET	1 OF 2
				REV	A		

THIS DRAWING IS UNPUBLISHED. RELEASED FOR PUBLICATION JUL ,2011.  
 © COPYRIGHT 2011 By Tyco Electronics Japan G.K. ALL RIGHTS RESERVED.

LOC	DIST	REVISIONS					
J	/	P	LTR	DESCRIPTION	DATE	DWN	APVD
		-		SEE SHEET 1	-	-	-



THIS DRAWING IS A CONTROLLED DOCUMENT.		DWN		<b>STE</b> TE Connectivity	
DIMENSIONS: 単位: 耗 mm		CHK			
TOLERANCES UNLESS OTHERWISE SPECIFIED: 一般公差		APVD		NAME 名称	
0 PLC ± 0.3		PRODUCT SPEC 製品規格		MICRO USB CONNECTOR	
1 PLC ± 0.3		APPLICATION SPEC 取付適用規格		MID-MOUNT DIP, FLANGELESS	
2 PLC ± 0.3		WEIGHT		REVERSE TYPE	
3 PLC ± 0.3		SIZE		RESTRICTED TO	
4 PLC ± 0.3		CAGE CODE		-	
ANGLES ± 3'		DRAWING NO 番号		-	
FINISH 仕上		A3 00779		-	
MATERIAL 材料		G=2134441		SCALE 尺度 NTS	
		CUSTOMER DRAWING		SHEET 2 OF 2	
				REV A	